



PRINS FORKLIFTS

For more than 30 years, Prins has developed and produced terrain forklifts.

Originally developed for gro nurseries, however through the products have been adapted to other needs as well.

One of the advantages of the Prins has stayed the same - they go where others can go. This is due to its large wheels in combination with its weight and a sophisticated drive system allowing only slight or no track marks on the ground instead of deep grooves.

The high ground clearance allows the Prins to drive over a variety of terrain without getting stuck.

The powerful engine with its drive-train always delivers plenty of power. With this the machine is not only suitable for rough terrain applications but also for grass, container fields and flood plains. It cannot handle heavy machines.

The concept of the Prins forklift is very unique. You will not find one like it. Because of these special characteristics, the Prins is very sought after even after 30 years of service. This results in high res

Prins Shifter



The smallest of the Prins forklifts has a 3 cylinder Kubota diesel engine and a manual gearbox.

For the past 30 years this model has proven itself as a very reliable machine that anyone can work with.

Two versions are available: one with 1000 kg lifting capacity and one with 1200 kg lifting capacity.

The principle of the removable counter balance weights allows the machine to be adjusted to the necessary lifting capacity required.



Prins Elektro



For situations where exhaust gas is not wanted, Prins has specially developed an electrical version of the rough terrain forklift.

Two types are available: one with 750 kg lifting capacity and one with 1000 kg lifting capacity.

To have extra traction in rough conditions, this machine has a special low gear inside the automatic transmission.

Prins Boxer



The Boxer is a machine for heavy work and for the driver who wants an automatic transmission.

This machine is available in 1000 kg and 1500 kg lifting capacity.

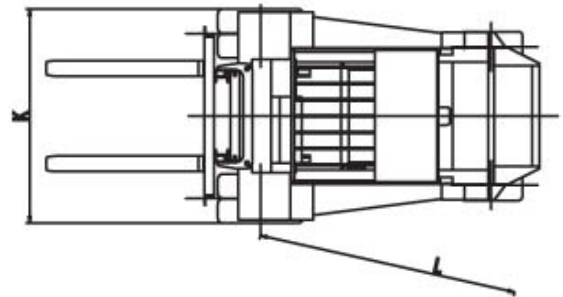
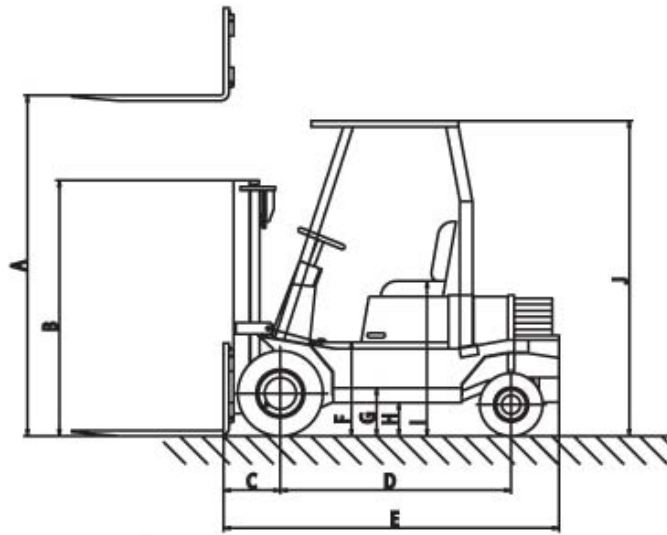
Both are equipped with a powerful Kubota diesel engine.



- Prins forklifts are used by:**
- plant growers
 - construction companies
 - fruit growers
 - rental fleets
 - tree growers
 - nurseries



6.5x80-12 (luff profile) Twin mounted
 6.5x80-12 (traction profile) Twin mounted
 23x10.5-12 (traction profile) Twin mounted
 23x10.5-12 (luff profile) Single mounted
 28x12-12 (luff profile) Single mounted
 28x12-12 (traction profile) Single mounted
 28x12-12 (luff profile) Twin mounted



Model	Shifter 1.0		Shifter 1.2		Boxer 1.0		Boxer 1.5		Elektro 0.75	Elektro 1.0
Load capacity (kg)	1000		1200		1000		1500		750	1000
Center of gravity (mm)	500		500		500		500		500	500
Mast angle front/rear	7°/7°		7°/7°		6°/6°		6°/6°		7°/7°	7°/7°
Fork plate	Prins		Prins		FEM 2b		FEM 2b		FEM 2b	FEM 2b
Type of engine	diesel		diesel		diesel		diesel		electric	electric
Transmission	manual		manual		automatic		automatic		automatic	automatic
Engine	Kubota D1105E		Kubota D1105E		Kubota V1505		Kubota V1505		Amre 1459	Amre 1459
Power (kW)	19		19		24		24		5	5
Speed (km/hr)	18		18		24		24		16	16
Weight (kg)	1500		1700		1680		2370		1380	1700
Tires front (Std.)	5.0x10	6.5x80-12	5.0x10	6.5x80-12	6.5x80-12	26x12-12	6.5x80-12	26x12-12	26x12.00-12	26x12.00-12
Tires rear (Std.)	16.5x8	18.5x8	16.5x8	18.5x8	18.8x5.8	20x10-10	18.8x5.8	20x10-10	23x12.50-12	23x12.50-12
A (mm)	1780	1780	1780	1780	1780	1780	2800	2800	1380	1380
B (mm)	1680	1690	1680	1690	1470	1470	1970	1970	2000	2000
C (mm)	340	370	340	370	420	470	420	450	450	450
D (mm)	1450	1450	1450	1450	1560	1560	1560	1560	1410	1410
E (mm)	2000	2030	2000	2030	2420	2470	2420	2470	2120	2120
F (mm)	490	520	490	520	650	680	650	680	705	705
G (mm)	290	320	290	320	340	370	340	370	300	300
H (mm)	100	130	100	130	155	185	155	185	160	160
I (mm)	980	1010	980	1010	1040	1070	1040	1070	1190	1190
J (mm)	1980	1980	1980	1980	2140	2170	2110	2140	2190	2190
K (mm)	1250	1378	1250	1378	1400	1400	1400	1400	1270	1270
L (mm)	2100	2100	2100	2100	2050	2050	2050	2050	2250	2250



Prins Maasdijk

Prins Mechanisatie B.V.
 Tuindersweg 37
 2676 BD Maasdijk
 The Netherlands
 Tel. (31) 174 51 62 40
 Fax (31) 174 51 91 42



Prins Maasdijk



**Prins
forklifts**

















