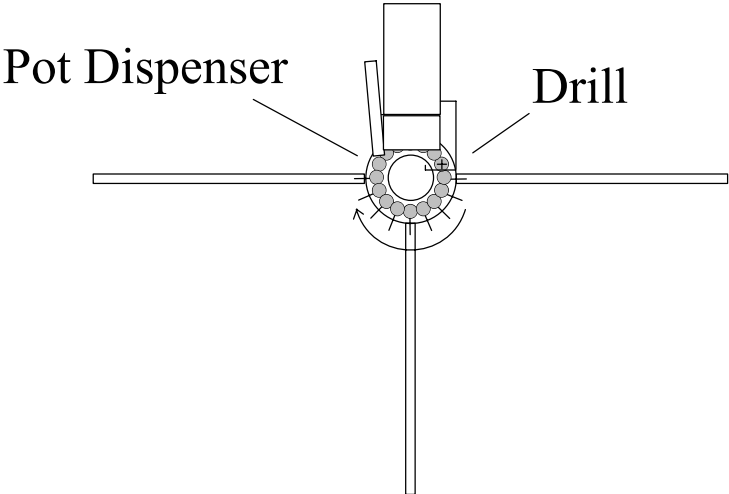


Demtec Potting Machine - Machine Orientation Confirmation

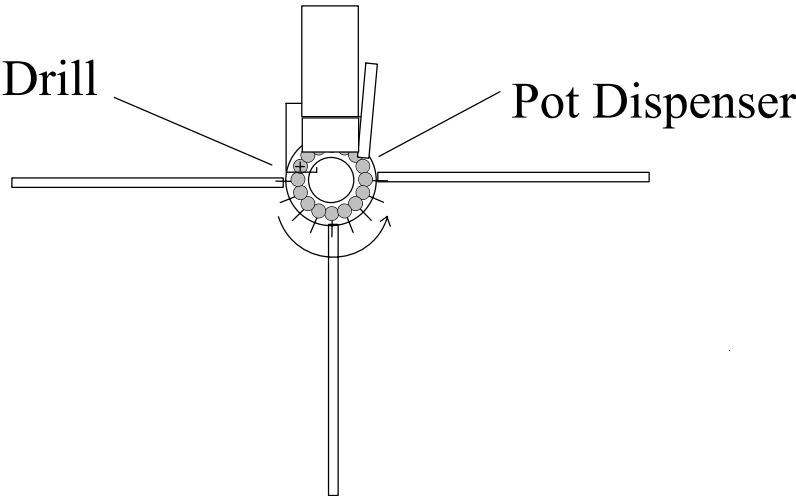
Client/Customer Name

Clockwise version machine.



Please put a cross in the appropriate box to indicate the desired orientation of the machine.

Sign Please



Aniti Clockwise version machine.

Sign Please

Potting conveyors shown as a guide only. Pot exit positions available every 22.5 degrees (on 16 station turntable)
Every 50degrees on an 8 station turntable.